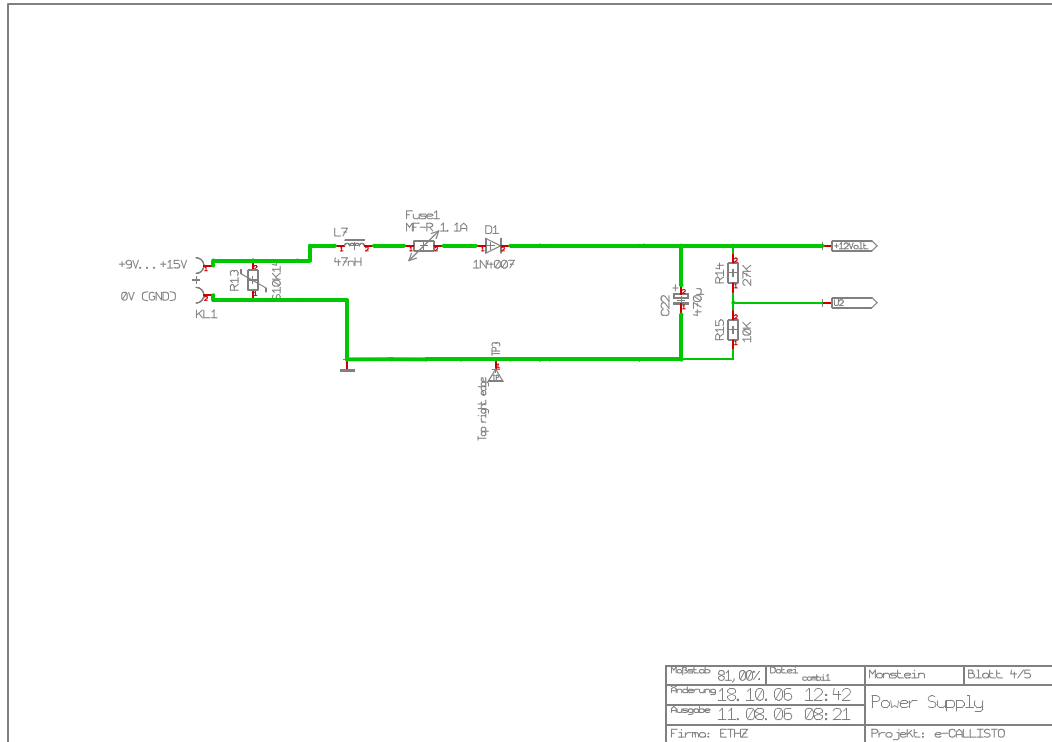


e-Callisto Non Conformance Report (NCR)

After 10 years of using Callisto it was found out, that the voltage divider R14/R15 to measure supply voltage is wrong designed. The values were correct for a 5V ADC. But years ago it was decided to work with a 2.5C ADC but the voltage divider was never adjusted. Therefore the displayed value during startup of the Application of Callisto is definitely wrong because the ADC is saturated.



During revisions or updates the resistor R14 should be replaced by a 56 Kohm resistor to not saturate the ADC. For a correct display the firmware in ATmega 16 should be updated but, due to the fact that the instruments are distributed all over the world, it is almost impossible to update the software in the chip.

One has to live with a wrong display in memo field of the application and in the log-file. It has no influence to the science functions of Callisto.

Decision: use hardware and software as it is, no redesign at then moment.